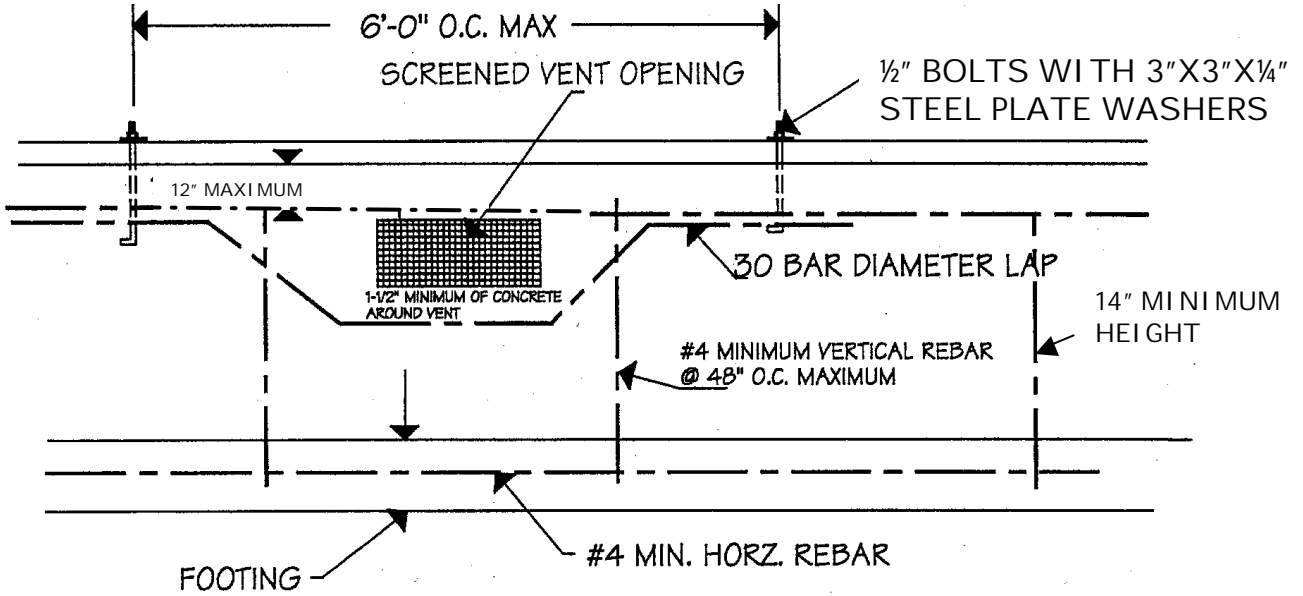


COWLITZ COUNTY DEPARTMENT OF BUILDING AND PLANNING

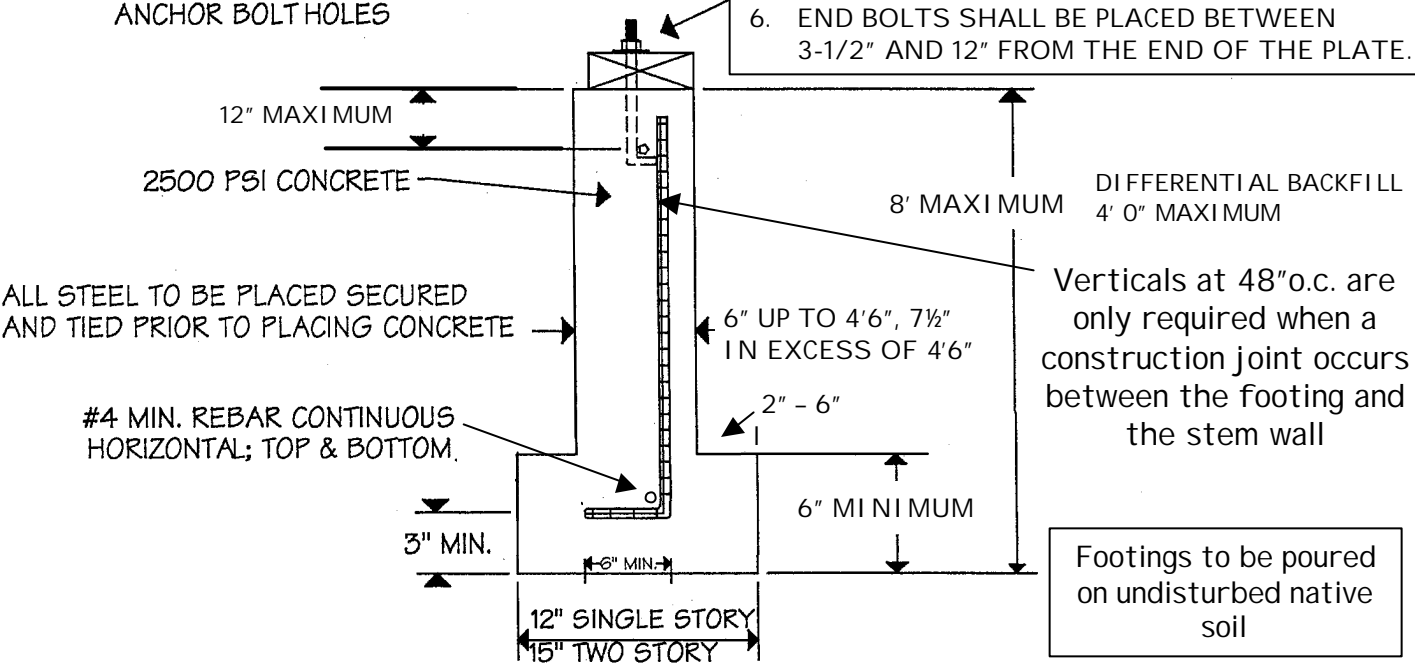
FOUNDATIONS WITH MAXIMUM 4FT. OF DIFFERENTIAL FILL HEIGHT



FOUNDATION BOLT REQUIREMENTS

1. MINIMUM 1/2" DIAMETER BOLTS
2. MINIMUM 7" EMBEDMENT IN THE CONCRETE
3. **PLATE WASHERS ARE TO BE GALVANIZED AND 3"X3"X1/4"**
4. BOLTS ARE TO BE SPACED NO MORE THAN 6' ON CENTER
5. MINIMUM 2 BOLTS ARE REQUIRED FOR EACH FOUNDATION PLATE
6. END BOLTS SHALL BE PLACED BETWEEN 3-1/2" AND 12" FROM THE END OF THE PLATE.

NOTE: DO NOT OVER BORE ANCHOR BOLT HOLES



Footings to be poured on undisturbed native soil