

COWLITZ COUNTY DEPARTMENT OF BUILDING AND PLANNING

STAIRS, EXITS, HANDRAILS AND GUARDRAILS

STAIRWAY REQUIREMENTS

Minimum tread length 10"

Maximum riser height 7³/₄"

Nosing required on treads less than 11".

3³/₄" - 1¹/₄"

The largest riser or tread in any flight of stairs shall not exceed the smallest riser or tread by more than 3/8 of an inch.

Open risers are permitted, provided that the openings between the treads does not permit the passage of a 4" diameter sphere.

EXIT REQUIREMENTS - MAIN EXIT DOOR (FRONT DOOR OF HOUSE)

Landings are required at each exterior door, min. 36" long and as wide as the door served.

One step (7³/₄" maximum) is permitted outside the main entry door when the door does not swing over the step.

Threshold - 1¹/₂" maximum

Door Swing

Step 7³/₄" maximum from top of threshold

Threshold - 1¹/₂" maximum

EXIT REQUIREMENTS - DOORS OTHER THAN THE MAIN EXIT DOOR

The floor of the landing on the exterior side of exit doors (other than the main exit) shall not be more than 7³/₄" below the top of the door threshold.

Where a stairway of two or less risers is located on the exterior side of an exit door (other than the main entry door) a landing is not required at the top of the stairway.

COWLITZ COUNTY DEPARTMENT OF BUILDING AND PLANNING

STAIRS, EXITS, HANDRAILS AND GUARDRAILS

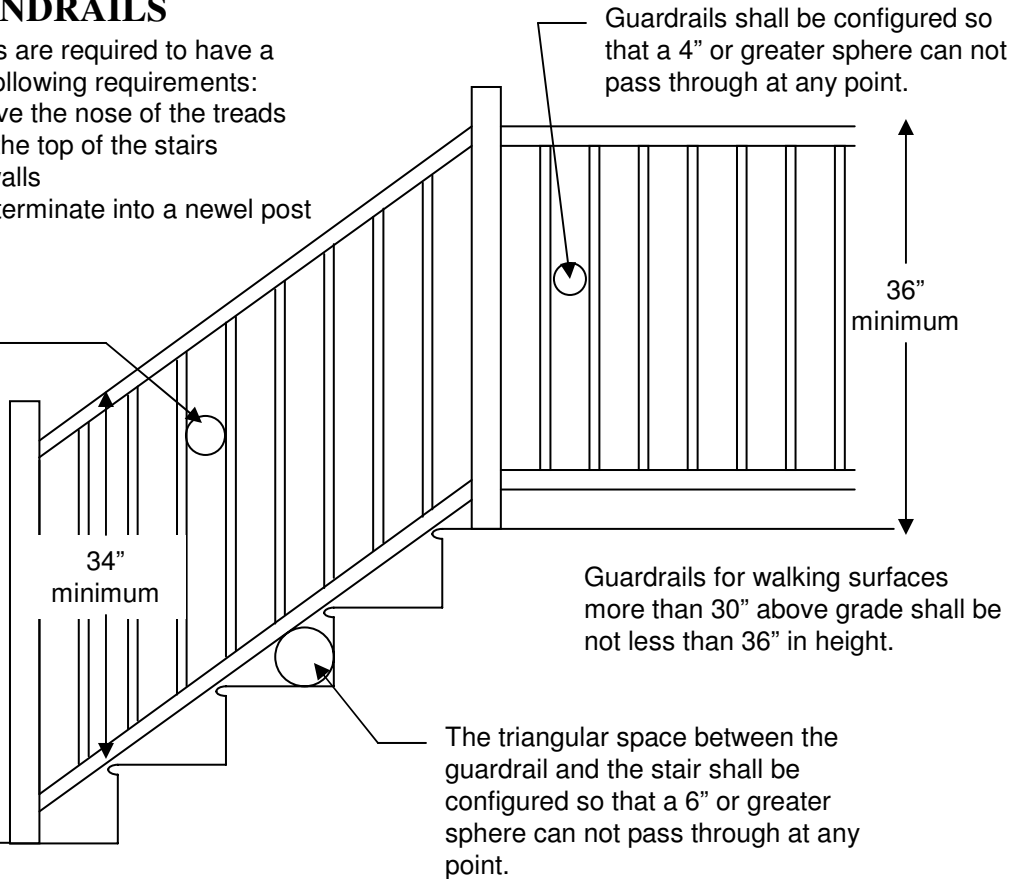
GUARDRAIL AND HANDRAILS

Stairways with four or more risers are required to have a graspable handrail meeting the following requirements:

- Located between 34" – 38" above the nose of the treads
- Continuous from the bottom to the top of the stairs
- Located a minimum 1½" from walls
- Ends shall be returned or shall terminate into a newel post

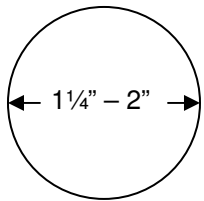
Guardrails on stairs shall be configured so that a 4-3/8" or greater sphere can not pass through at any point.

Guardrails for stairways, with a total rise greater than 30", shall be not less than 34" in height.

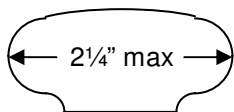


HANDRAIL CONFIGURATIONS

Type I Handrails



Circular cross-section –
Diameter: 1 1/4" – 2"



Non-circular –
Perimeter: 4" – 6 1/4"
Cross-section: 2 1/4" max.

Type II Handrails – Perimeter greater than 6 1/4" with graspable finger recesses

Cross-section: 1 1/4" – 2 3/4" above the finger recess

Finger recess depth: 5/16" minimum

Finger recess location:

- Must begin a maximum of 3/4" from top
- Must extend at least to 1 3/4" from the top

